

Gebrauchsanweisung
Operating Instructions
Notice d' utilisation

Istruzioni sull'uso
Gebruiksaanwijzing

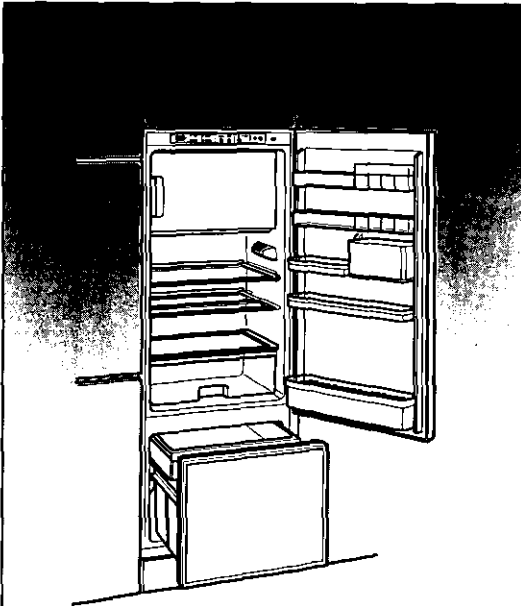
DE

GB

FR

IT

NL



GB Index

Instructions on appliance disposal	18	Freezing small quantities of food yourself	24
Safety information	18	Defrosting the freezer compartment . . .	25
Getting to know your appliance	20	The "cool-fresh" compartment	25
Connecting and switching ON the appliance Selecting the temperature . . .	21	The refrigerator compartment	26
Switching OFF and disconnecting the appliance	22	Clean the appliance	27
Arranging food in the appliance	22	Tips on how to save energy	27
The freezer compartment	23	Information on operating noises	28
Storing frozen food and making ice cubes	24	Eliminating minor faults yourself	29
		Calling customer service	31

Instructions on appliance disposal

Disposal of your old appliance

When replacing your old appliance with a new one, please comply with the following:

Old appliances are not worthless rubbish. Valuable raw materials can be reclaimed by recycling old appliances.

Render your old appliance unusable:

1. Pull out the mains plug,
2. Cut off the power cord and discard with mains plug,
3. To prevent children from locking themselves in the refrigerator and suffocating, REMOVE THE LOCK.

Professional disposal is required for refrigerants in refrigeration appliances and gases contained in the insulation. Ensure that refrigeration tubing and coils are not damaged or punctured prior to their proper disposal.

Disposal of packaging

Warning:

Keep children away from the shipping carton and packaging components. Danger of suffocation from folding cartons and plastic film.

You received your new appliance in a protective shipping carton. All packaging materials are environmentally friendly and recyclable. Please contribute to a better environment by disposing of packaging materials in an environmentally-friendly manner.

Please ask your dealer or inquire at your local authority about current means of disposal.

Safety information

Before switching on the appliance

Please read the operating and installation instructions carefully. They contain important information on how to install, use and maintain the appliance.

The manufacturer is not liable if you fail to comply with the instructions and warnings in the operating manual. Please retain these operating and installation instructions as they may be required by a subsequent appliance user.

• Warning!



The appliance contains a small quantity of the environmentally-friendly but flammable refrigerant R600a. Ensure that the refrigeration tubing is not damaged during transportation and installation. Leaking refrigerant may cause eye injuries or ignite.

If refrigerant is leaking out:

- Avoid naked flames and ignition sources near the leakage.
- Unplug the appliance and ventilate the room for several minutes.

Installing and connecting the appliance

The more refrigerant in an appliance, the larger the room must be in which the appliance is situated. If a leak occurs in a

room which is too small, a flammable gas-air mixture may occur.

The room must be at least 1 m³ per 8 g of refrigerant. The amount of refrigerant in your appliance is indicated on the rating plate inside the appliance.

- Install and connect the appliance as described in the installation manual. The connected loads of the power supply (voltage, current type and frequency) must correspond with the specifications on the rating plate. The rating plate can be found inside the appliance.
- The electrical safety of the appliance is not guaranteed unless the earthing system in the building electrical system has been correctly installed.
- Do NOT switch on a damaged appliance. If in doubt, contact the supplier.
- Do NOT cover or block the ventilation slots!

Using the appliance

- In the following cases remove the mains plug or switch OFF the fuse:
 - Defrosting
 - Cleaning

Do NOT pull out the plug by tugging the mains cable.
- Repairs may only be performed by qualified customer-service technicians. Improper repairs may put the user in considerable danger.
- NEVER use electrical appliances inside the appliance (e.g. heater, ice-cream maker, etc).
- Do NOT stand or support yourself on the base, drawers or doors, etc.

- Bottles which contain a high percentage of alcohol must be sealed and placed vertically in the refrigerator.
- NEVER store products which contain flammable propellant gases (e.g. aerosols) or explosive substances in the appliance – **Explosion hazard!**
- Do NOT allow children to play with the appliance.
- If the appliance features a lock, keep the key out of the reach of children!
- Bottled or canned drinks (especially carbonated beverages) must NEVER be stored in the freezer compartment. Bottles and tins will explode!
- Do NOT put ice lollies or ice cubes directly from the freezer compartment into your mouth.
Risk of burns from very low temperatures.
- NEVER touch frozen food with wet hands. Your hands could freeze to the food!
- Do NOT scrape off hoarfrost or dislodge frozen food which is stuck to the freezer compartment with a knife or pointed implement.
You could damage the refrigerant tubing.
Leaking refrigerant may ignite or cause eye injuries.

General regulations

The appliance is suitable for

- chilling and freezing food
- making ice.

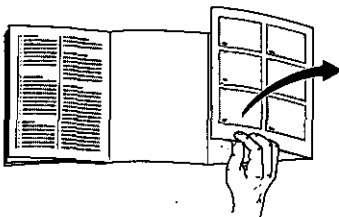
The appliance is designed specifically for use in the house.

If the appliance is used in the commercial sector, the relevant regulations must be observed. The appliance corresponds to the Regulations for the Prevention of Accidents for Refrigeration Appliances (VGB 20). The refrigeration circuit has been checked for leaks. The appliance corresponds to the relevant safety regulations for electrical appliances.

- 16 Shelf for large bottles
- 17 Drawer
- 18 Cooling trolley

- A Freezer compartment
- B "Cool-fresh" compartment
- C Refrigerator compartment

Getting to know your appliance



Please fold out the illustrated back page. These operating instructions refer to several models.

The diagrams may vary.

Example of features

Figure 1

- 1-7 Fascia
- 8 Light switch
- 9 Interior light
- 10 Shelves in the refrigerator compartment
- 11 Humidity filter
- 12 High-humidity drawer
- 13 Shelf for tubes and small tins
- 14 Egg rack
- 15 Butter and cheese compartment

Fascia

Fig. 2

1 Main ON/OFF switch

Appliance main switch is used to switch ON/OFF the entire appliance.

2 Button for setting temperature in refrigerator compartment

The temperature in the refrigerator compartment can be adjusted from +3 °C to +11 °C.

Press Button 2.

The set temperature is indicated for 5 seconds on Display 7.

Press the Selection button repeatedly or continuously until the desired temperature is displayed. The temperatures are displayed consecutively from +11 °C to +3 °C. +11 °C is redisplayed after +3 °C.

We recommend a setting of +6 °C.

3 "OFF" button

Switches OFF the acoustic warning signal. If the freezer compartment becomes too warm, an acoustic warning signal is emitted, i.e. the frozen food is in danger of thawing.

The acoustic warning signal may also be emitted (without any risk to the frozen food)

- when the appliance is switched ON
- if large quantities of fresh produce are

placed in the freezer compartment
– if the freezer-compartment door was left open for too long

Then the current temperature in the refrigerator compartment is redisplayed.

4 “super” button

Switches ON/OFF fast freezing.

“Super” display 5 indicates that fast freezing is ON. Fast freezing freezes large quantities of fresh food and should be switched ON up to 26 hours before the fresh food is placed in the appliance. When fast freezing has been switched ON, the refrigerating unit operates continually and the freezer compartment drops to a very low temperature.

Fast freezing automatically switches OFF after approx. 74 hours.

5 “super” display

Illuminates only when the “super” button 4 has been pressed to switch ON fast freezing.

Goes out when the “super” button has been pressed again to switch OFF fast freezing. **Automatically goes out** at the latest 74 hours after fast freezing was switched ON.

6 “cold+fresh” and “freezer” displays

Illuminates when appliance main switch has been switched ON.

7 Refrigerator-compartment temperature display (displays two functions)

a) Current temperature in refrigerator compartment

Displays the current temperature in the refrigerator compartment without any button being pressed.

b) Set temperature for refrigerator compartment

When Selection button 2 is pressed, the set temperature is displayed for five seconds.

Note ambient temperature!

Depending on the “climatic category” (see rating plate **Fig. 17**), the appliance can be operated at the following ambient temperatures.

Climatic category	Ambient temperature from ... to
SN	+10 °C to +32 °C
N	+16 °C to +32 °C
ST	+18 °C to +38 °C
T	+18 °C to +43 °C

If the upper ambient temperature is exceeded, the cool-fresh compartment may become too warm.

Ventilation

Air heats up on the rear panel of the appliance. The heated air must be able to escape. If the air flow is obstructed, the refrigerating unit must work harder which increases the power consumption. Therefore, NEVER cover or block the ventilation slots!

Connecting and switching ON the appliance Selecting the temperature

Clean the interior of the appliance before using for the first time (see “Cleaning”).

Connecting the appliance

The socket should be in an accessible position, preferably above the high-sided unit. Do NOT operate the appliance until it has been installed.

Connect the appliance to 220–240 V/50 Hz alternating current via a correctly installed earthed socket. The socket must be fused with a fuse ≥ 10 A.

If the appliance is to be operated in a non-European country, check on the rating plate Fig. 17 whether the supply voltage and current type correspond with your mains supply. The mains connection cable may be replaced only by an electrician.

Switching ON the appliance

Fig. 2

• Press appliance main switch 1.

Display 7 indicates the temperature in the refrigerator compartment. The “cool-fresh” and “freezer” displays 6 illuminate. When the door is open, the interior light illuminates.

To select the temperature, press button 2 for at least 1 second. The temperature selection is indicated on Display 7 for 5 seconds.

Press the button repeatedly or hold down until the desired temperature is displayed. (The temperatures are displayed consecutively from +11 °C to +3 °C. +11 °C is redisplayed after +3 °C).

We recommend a setting of +6 °C.

The temperature in the freezer compartment (Fig. 1/A) and “cool-fresh” compartment (Fig. 1/B) cannot be changed. These compartments are regulated automatically.

The temperature in the freezer compartment is -18 °C or colder.

The temperature in the “cool-fresh” compartment is almost 0 °C.

Switching OFF and disconnecting the appliance

Switching OFF the appliance

Press the main switch (Fig. 2/1). The refrigerating unit and interior light switch OFF.

Disconnecting the appliance

If the appliance is not to be used for a prolonged period:

1. Pull out the mains plug
2. Defrost and clean the appliance
3. Leave the appliance door and freezer-compartment door open.

Arranging food in the appliance

Arrange food in the appliance according to the following instructions:

- Warning: NEVER store products which contain flammable propellant gases (e.g. spray cans) or explosive substances in the appliance – EXPLOSION HAZARD!
- Bottles containing a high percentage of alcohol must be sealed and stored upright.

- **Warning:** Store opened bottles of sparkling wine, unsealed, in the cooling trolley. When the cooling trolley is opened, vibrations may cause the cork to shoot out.
- Allow warm food and drinks to cool outside the appliance.
- Wrap or cover food before placing in the appliance. Only vegetables, fruit and salad vegetables should be stored unwrapped in the high-humidity drawer **Fig. 11/12**.
- Do NOT allow oil or fat to come into contact with the plastic components or the door seal, otherwise they could become porous.

Variable interior design

The shelves inside the appliance can be repositioned as required: pull the shelf forwards, lower and swing out sideways **Fig. 4**. All the door containers can be removed. Lift the containers and remove **Fig. 5**.

Special features

Vario shelf

Fig. 6

The front half of the Vario shelf can be pushed back. Tall produce can then be placed on the shelf underneath (e.g. jugs, bottles).

Bottle holder

Fig. 8

The bottle holder prevents bottles from falling over when the door is opened and closed.

The freezer compartment

Use the freezer compartment

- For storing frozen food
- For making ice cubes
- For freezing small quantities of food

The freezer compartment door closes with a noticeable click.

Make sure the freezer compartment door is kept closed at all times. If the door is left open, the contents of the freezer compartment will start to thaw. There will be a build-up of ice inside the freezer compartment and, in addition, a considerable amount of energy will be wasted due to higher electricity consumption.

Door closed indicator on freezer compartment

Fig. 10 not on all models

The door closed indicator shows whether the freezer compartment door has been closed properly.

- **Red indicator: door is open**
- **White indicator: door is closed**

Storing frozen food and making ice cubes

When you buy frozen goods:

- Check that the packaging is not damaged in any way.
- Check the "Best before"-date.
- The temperature in the freezer cabinet in the shop should be colder than -18°C . If it is not the storage life of the frozen goods will be reduced.
- When you are out shopping, buy frozen products last of all and transport them to your home wrapped in newspaper or in a cool-bag.
- When you get home, put the frozen products straight into the freezer compartment and close the door carefully. Consume the frozen products before the "Best before" -date.

- Greaseproof paper
- Cellophane
- Refuse bags
- Used shopping bags

Suitable wrapping/packing materials:

- Plastic film
- Polyethylene blown film
- Aluminum foil
- Freezer boxes
These products can be purchased from your dealer.

Suitable sealing materials:

- Rubber bands
- String
- Cold-resistant adhesive tape or similar.
Bags and polyethylene blown film can be sealed with a film sealer.

Freezing capacity

(Only 4-star appliances)

Up to 3 kg of food can be frozen on the floor of the freezer compartment within 24 hours.

Food which is already frozen must NOT come into contact with fresh food which is to be frozen.

Freezing small quantities of food yourself

Freeze only fresh and undamaged food. To prevent the flavor from escaping and/or food from drying out, wrap/pack the food airtight.

Wrap/pack food correctly:

1. Wrap up/pack the food.
2. Press out all the air.
3. Seal the wrapped/packed food.
4. Label and date the wrapped/packed food.

Unsuitable wrapping/ materials:

- Wrapping paper

Storage duration

Depends on the type of food. At an average temperature:

- Fish, sausage, ready meals, cakes and pastries:
up to **2 months**.
- Cheese, poultry, meat:
up to **4 months**.
- Vegetables, fruit:
up to **6 months**.

Defrosting the freezer compartment

To prevent the food from thawing, the freezer compartment does NOT defrost automatically. A layer of hoarfrost in the freezer compartment will impair refrigeration of the frozen food and increase power consumption. Remove hoar frost regularly.

Warning: NEVER scrape off hoarfrost or ice with a knife or other sharp object, as you could damage the refrigeration tubing. Escaping refrigerant may ignite or cause eye injuries.

Proceed as follows

1. Remove the frozen food and store temporarily in a cool location.
2. Pull out the mains plug.
3. Defrost the appliance.
4. Wipe the freezer compartment dry.
5. Switch ON the appliance.
6. Put the frozen food back in the freezer.

Defrosting aids

You can accelerate the defrosting process by placing a pan of hot water in the freezer compartment. **Warning:** Place the pan on a heat-resistant base!

Warning: NEVER use electric appliances or naked flames, e.g. heaters, steam cleaners, candles or kerosene lamps, to defrost the freezer compartment.

Caution when using defrosting sprays:

- Defrosting sprays may form explosive gases.

- Defrosting sprays may contain solvents or propellants which attack plastic.
- Defrosting sprays may be a health hazard.

Observe the manufacturer's specifications.

Refrigerator and cool-fresh compartments defrost fully automatically

While the refrigerating unit is running, condensation forms on the rear of the refrigerator compartment. This is quite normal. It is not necessary to wipe off the condensation or the hoarfrost. The rear panel defrosts automatically. The condensation runs down the condensation channel Fig. 3/10 to the refrigerating unit where it evaporates.

Note: To ensure that the condensation flow is not obstructed, keep the condensation channel and drain hole clean Fig. 3/10.

The "cool-fresh" compartment

The temperature in the "cool-fresh" compartment is kept constant at almost 0 °C. The low temperature and high humidity (in the high-humidity drawer) provide optimum conditions for storing fresh food. Food can be kept fresh in the "cool-fresh" compartment for twice as long as usual.

The high-humidity drawer

The high-humidity drawer Fig. 1/12 is covered by a special filter which allows air, but not humidity, to escape. As a re-

sult, there can be up to 90 % atmospheric humidity in the drawer, depending on the stored food. These are ideal conditions for storing garden produce such as salad vegetables, vegetables, fruit, mushrooms and herbs.

The following foods are suitable for storing in the "cool-fresh" compartment:

On the shelves: Figs. 1/10

Ready meals, meat, poultry, cheese, seafood, dairy products (opened or those which are to be kept fresh for longer), ham, sausage.

In the high-humidity drawer: Fig. 1/12

Vegetables (e.g. carrots, beetroot, celery, radishes, asparagus, leeks, spinach, ripe tomatoes, fresh peas, etc.)
Brassicac (e.g. cauliflower, kohlrabi, sprouts, broccoli, Savoy cabbage, etc.)
Herbs (e.g. chives, dill, parsley, etc.)
Fruit (indigenous!) (Tropical fruits: only figs and pomegranates)
Mushrooms
Salad vegetables (e.g. corn salad, lettuce, radicchio, chicory, etc.).

The following foods are not suitable for storing in the "cool-fresh" compartment:

Fruit and vegetables which are sensitive to the cold, such as:

Tropical fruits, avocados, papayas, passion fruit, aubergines, cucumbers, peppers, fruit which has not yet ripened, green tomatoes, potatoes and hard cheese. These foods are best stored in the refrigerator compartment Fig. 1/C.

Please note when purchasing food:

The storage life of food depends on its degree of freshness at the time of purchase. Generally, the fresher the produce is when placed in the "cool-fresh" compartment, the longer it will stay fresh. Therefore, when purchasing food, always check how fresh it is.

Storage periods (at 0 °C)

Depending on initial quality

Sausage, assorted cold meats, meat, giblets, fish, fresh milk, curd cheese	up to 7 days
Small pieces of meat, fried sausage, mushrooms, salad vegetables, leaf vegetables	up to 10 days
Large pieces of meat, ready meals	up to 15 days
Smoked or pickled sausage, cabbage	up to 20 days
Large pieces of pre-heated meat, beef, game, pulses	up to 30 days

The refrigerator compartment

Temperature can be selected from +3 °C, to +11 °C. We recommend a temperature of +6 °C.

Using the refrigerator compartment

In the drawer:

For storing cakes and pastries, ready meals, preserved foods, condensed milk, hard cheese, fruit and vegetables sensitive to the cold: tropical fruits such as mandarins, bananas, pineapples, melons, avocados, papayas, passion fruit, aubergines, fruit which has not yet ripened, tomatoes, cucumbers, green tomatoes and potatoes.

In the cooling trolley:

Beverages cooled to drinking temperature.

Warning: NEVER clean the appliance with a steam cleaner! The steam may penetrate the live parts of the appliance and cause a short-circuit or an electric shock! The steam may damage the plastic surfaces.

Do NOT use abrasive or acidic cleaning agents or solvents.

Regularly clean the condensation channel and drain hole (Fig. 9/A) to ensure condensation drainage. Clean the condensation channel with a cotton bud, etc.

The cleaning water must not run through the drain hole into the evaporation pan.

Warning:

NEVER clean shelves and containers in the dishwasher. The parts could warp!

Clean the appliance

1. **Warning: Pull out the mains plug or disconnect the fuse!**
2. Clean the door seal with water only and dry thoroughly.
3. Clean the appliance with lukewarm water. The water must not run into the light, Fig. 16.
4. To clean the cooling trolley, Fig. 14 and drawers, Fig. 12 and 13 pull out, lift up at the front and take out.

Note: Before removing the high-humidity drawer, Fig. 13, remove the humidity filter 1/11 situated above the drawer.

5. Remove the filter cover Fig. 15 from the humidity filter, remove the filter, clean with lukewarm water and leave to dry.
6. To insert the drawers, place them on the telescopic rails, push all the way in and press down slightly (drawers lock into position).

Tips on how to save energy

- Install the appliance in an adequately ventilated room and ensure that it is not exposed to direct sunlight or placed next to a source of heat (radiator, etc.). If necessary fit an insulating panel between the two.
- Allow food to cool down before placing it in the appliance.
- Put frozen food into the main refrigerator section to thaw out: By so doing you will be utilizing the low temperature of the frozen products to cool the food in the refrigerator.
- A layer of ice impairs the transfer of cold to the frozen products and increases power consumption. Remove the build-up of ice at regular intervals.

- Do not keep the main door or the freezer compartment door open longer than necessary.
- Make sure the freezer compartment door is closed at all times. You should be able to hear it snap shut.
- **A bubbling, gurgling or whirring** noise is emitted by the refrigerant as it flows through the tubing.
- A **clicking** noise can be heard when the thermostat switches the motor ON/OFF.

Noises which can be easily rectified

- **Drawers, baskets or shelves are loose or are sticking**
Please check that they are correctly positioned and, if required, reinsert them.
- **Bottles and/or receptacles are touching each other**
Please move bottles and/or receptacles away from each other.

Information on operating noises

Normal noises

- A **humming** noise is emitted by the motor (compressor). When the motor switches ON, the noise may briefly increase in volume.

Eliminating minor faults yourself

Before you call customer service:

Please check whether you can eliminate the fault yourself based on the following information.

A technician who is called out to give advice will charge you, even if the appliance is still under guarantee.

Fault	Possible causes	Remedial action
Interior light does not function; refrigerating unit is running	The bulb is defective. The light switch is sticking (Fig. 16/A).	Replace the bulb 1. Pull out the mains plug or disconnect the fuse. 2. Pull off the grille. 3. Change the bulb, Fig. 16/B. (Replacement bulb 220–240 V a.c., E14 lamp holder, see defective bulb for wattage). Check whether the switch can be moved.
The frozen food is stuck to the freezer.		Loosen the frozen food with a blunt object. Do NOT use a knife or sharp object, as you could damage the refrigeration tubing or the plastic surface.
The freezer compartment is covered in a thick layer of hoar frost.		Defrost the freezer compartment (see "Defrosting"). Always ensure that the freezer-compartment door has been closed properly. The freezer-compartment door must "click" shut.
The floor of the refrigerator compartment is wet.	The condensation outlet is blocked (Fig. 3/A).	Clean the condensation channel and outlet (Fig. 3/A, see "Cleaning the appliance")

The temperature in the refrigerator compartment is too cold.	The freezer-compartment door has not been closed properly.	Close the freezer-compartment door. The freezer-compartment door must "click" shut.
	Temperature has been set too low.	Increase the temperature.
The refrigerating unit is switching ON more and more frequently and for longer.	The appliance door or the freezer-compartment door has been opened frequently.	Open the door only when necessary.
	Large quantities of fresh food have been frozen.	Never freeze more than 3 kg of food at once.
	The ventilation openings are blocked.	Remove any obstacles.
The refrigerator is not cold.	The appliance is switched OFF.	Press the main switch (Fig. 2/1).
	Power failure; the fuse has tripped; the mains plug is not in the socket properly.	Check that the power is on and check whether any fuses have tripped.
The temperature in the "cool-fresh" compartment is too cold or warm.	The fixed setting is too high or too low (e.g. if there is frost in the "cool-fresh" compartment).	The temperature in the "cool-fresh" compartment can be corrected. To correct the temperature, switch OFF the main switch (Fig. 2/1). Simultaneously press buttons (Figs. 2/1 and 2/2) for 1-2 sec. until "02" flashes. (Release the buttons).
		Warning: If the buttons are inadvertently pressed for longer, the temperature already set in the "cool-fresh" compartment will change.
		To select the temperature, press the button (Fig. 2/2) until the desired temperature is displayed (the temperatures are displayed consecutively from 2 °C to 0 °C. 4 °C is redisplayed after 0 °C).

The selected temperature is stored. After 1 minute the display switches back to the current temperature in the refrigerator compartment.

Calling customer service

If you are unable to eliminate the fault yourself, having consulted the chapter on "Eliminating minor faults yourself", please call customer service.

Warning

NEVER repair the appliance or the electrical components by yourself! Improper repairs may put the user in considerable danger.

Until customer service arrives: To prevent the temperature of the appliance from increasing, do not open the appliance door unless absolutely necessary.

Note

Do NOT refreeze food which is beginning to defrost or which has already defrosted.

Only food which is subsequently cooked may be refrozen.

No longer store the frozen produce for the max. storage period.

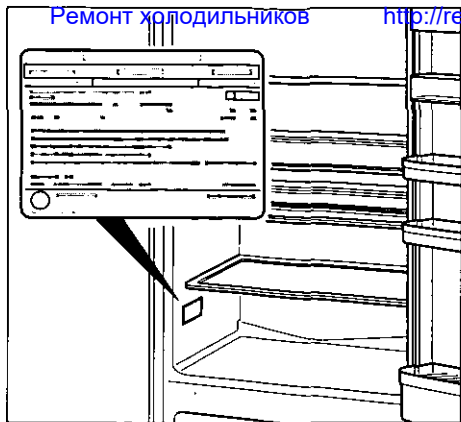
Keep the rating-plate specifications at hand:

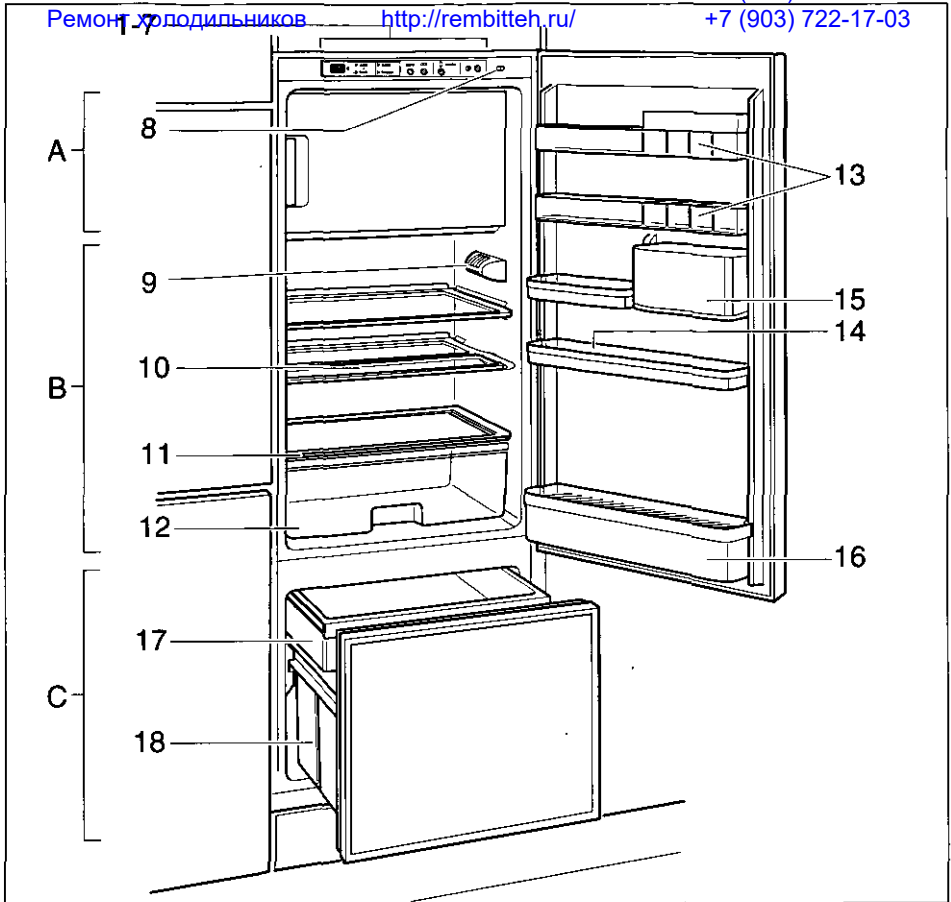
When calling customer service, please quote:

- the product number (E no.) of the appliance and
- the production number (FD no.) of the appliance.

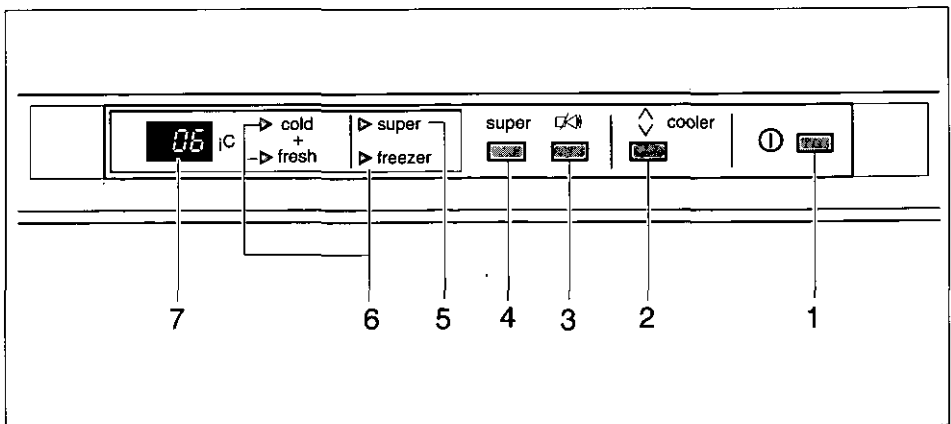
This information can be found on the rating plate **Fig. 17**.

The telephone number of customer service can be found in the telephone directory or in the customer-service index.

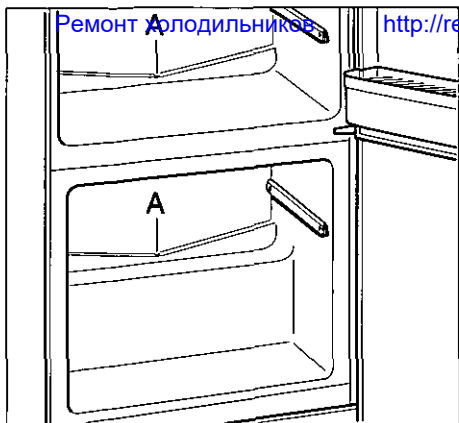




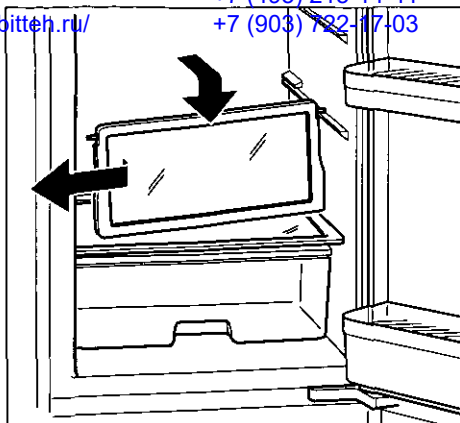
1



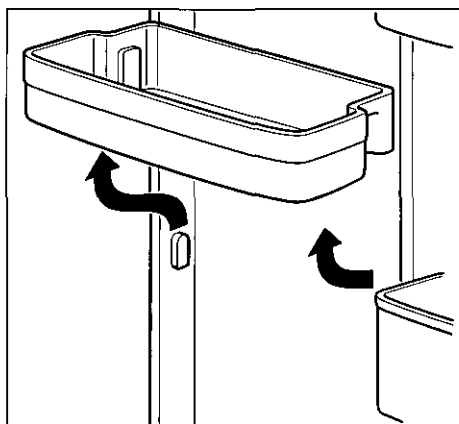
2



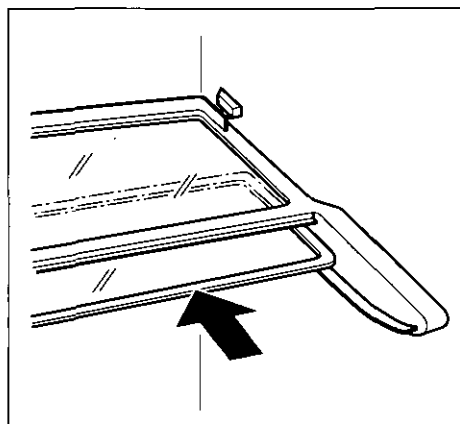
3



4



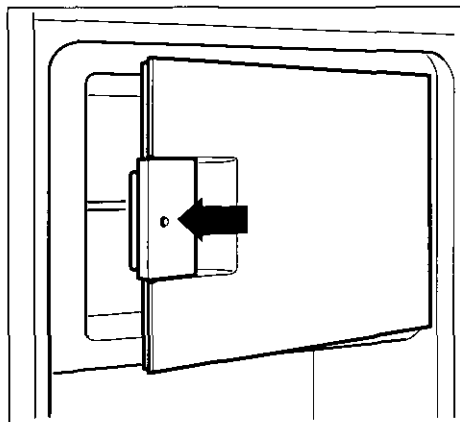
5



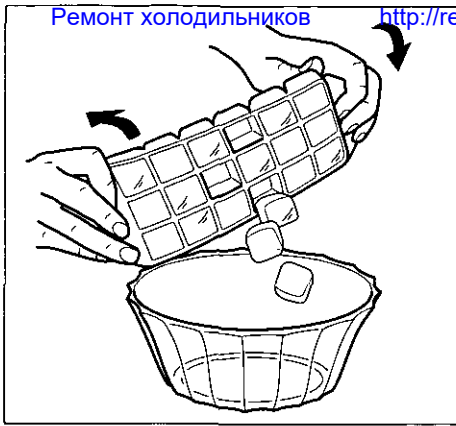
6



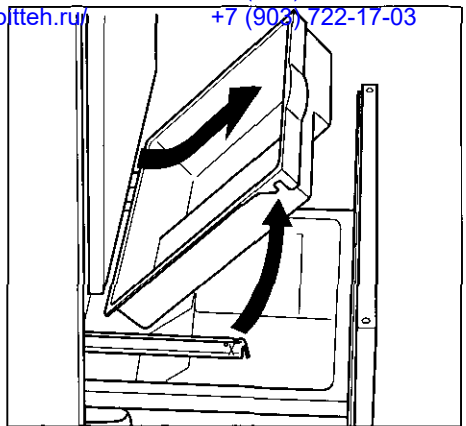
8



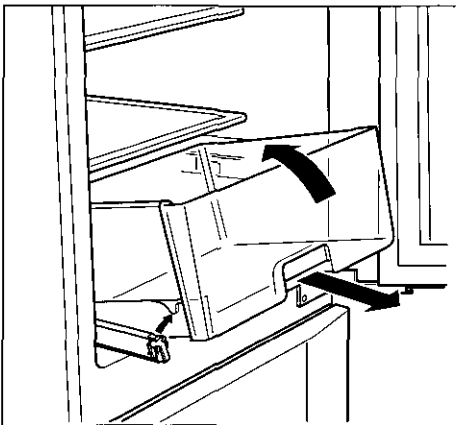
10



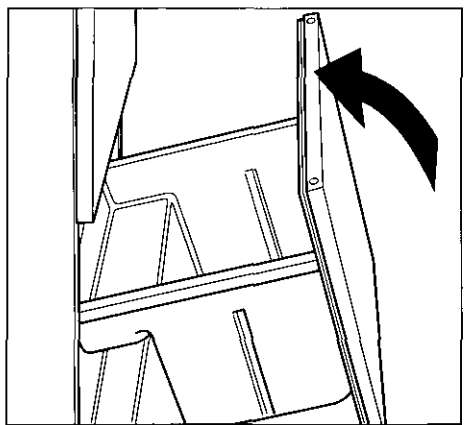
11



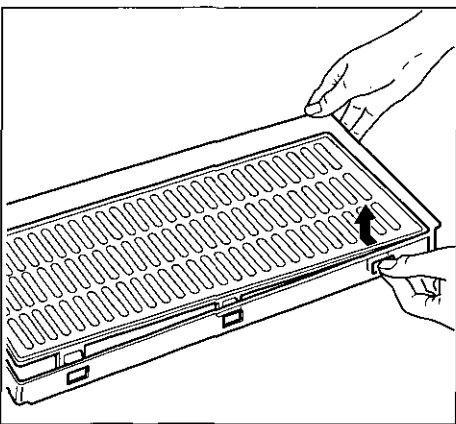
12



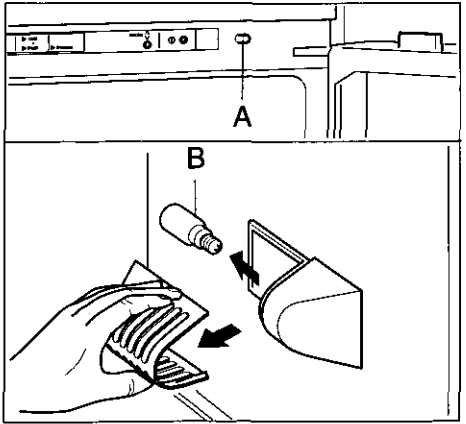
13



14



15



16

Ремонт холодильников

<http://rembitteh.ru/>

+7 (495) 215-14-41

+7 (903) 722-17-03

Family Line

01805-2223

Siemens-Hausgeräte

Besuchen Sie uns im Internet:

<http://www.siemens.de/hausgeraete>

KI 30F40/31



U526242

Änderungen vorbehalten

Subject to modification

Tous droits de modification réservés

Salvo variazioni

Wijzigingen voorbehouden

SIEMENS-ELECTROGERÄTE GMBH

1 700 988 184 DE, GB, FR, IT, NL, (7911)

<http://rembitteh.ru/>